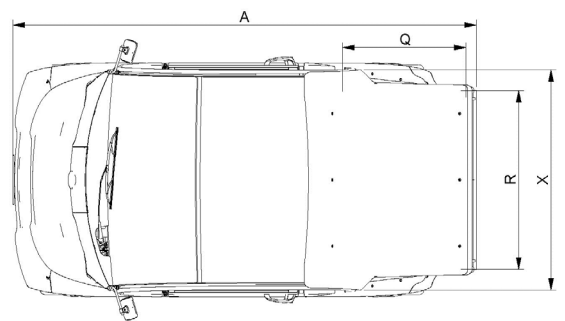
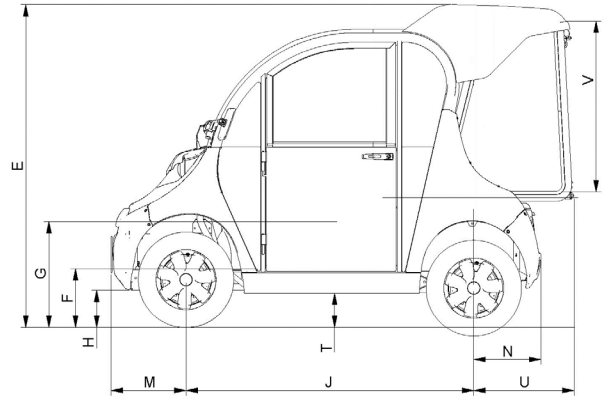
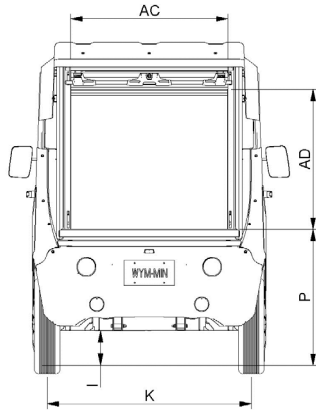
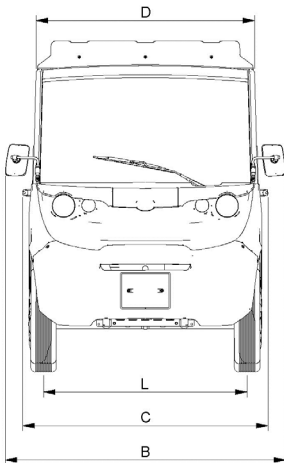




E2 - POSTAL



DIMENSIONS (mm)

A	B	C	D	E	F	G	H	I	J	K	L	M	N	P	Q	R	T	U	V	X	AC	AD
2803	1696	1483	1322	1951	354	640	225	206	1743	1224	1236	453	406	822	745	1078	206	606	1032	1329	949	846

BATTERY	Technology		Lithium LiFePO4	
	Capacity	kWh	4.3	8.6
	Autonomy	Km	52	104
	Battery weight	Kg	90	120
	Charging time		2h15	4h30
	On board High frequency battery charger	A	50	

PERFORMANCE	Seats		2	
	Type of certification		L7 e	
	Engine		AC induction	
	Maximum torque	Nm	13.5	
	Nominal power	kW	7	
	Controller		Curtis	

DIMENSIONS & CAPACITIES	Technically permissible maximum laden mass	Kg	907	
	Mass in running order	Kg	585	615
	Weight of equipment	Kg	57	
	Load capacity (driver included 75Kg)	Kg	322	292
	Useful capacity	m3	0.7	
	Turning radius	cm	381	
	Tires		165/70 R14	

EQUIPMENT
• 1 Rear shutter
• Option: Doors
• Option: Power steering
• Option: Electric heater
• Option: Passenger postal storage tray
• Option: RAL Color 1004 (golden yellow)
• Option: Box van RAL Color 1004 (golden yellow)

Changes may occur in the product since the closure of the material edition. Visuals may show equipment or accessories available as standard or optional depending of each country. Technical specifications belong to standard versions, which may vary from country to country. All the characteristics of this document are indicative data; GOUPIL Industrie reserves the right to modify without notice. Please contact your distributor for the latest news.

